

deSouther
MEDICAL



CLEANCAST™

ADVANCED CAST SAW AND DUST EXTRACTION SYSTEM

INTRODUCING THE CC7

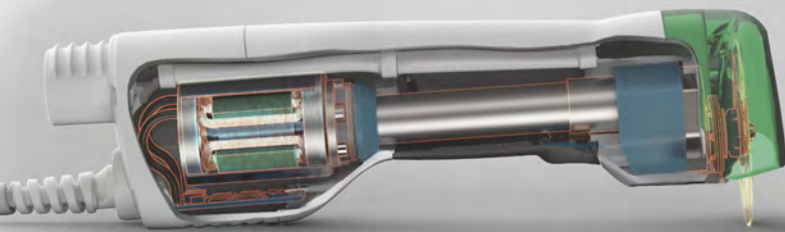
EVOLUTIONARY DEVELOPMENT

Over many years we have listened to our customers and spent significant time improving the most important aspects of our new CleanCast™ system. We've added a finger switch, located on the handpiece, for easy operation and improved ergonomics. A durable PETG, used in baby bottles, has been used for the extraction hood, making it more durable.



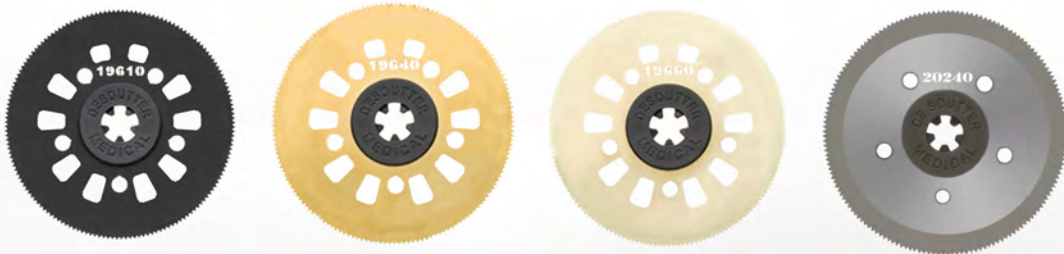
SMALLER, LIGHTER, MORE POWERFUL

Our engineers have used state of the art brushless motor technology to reduce weight, whilst delivering class leading power of 200 Watts. We've improved the motor housing, adding vibration absorbing material and acoustic baffles to reduce noise.



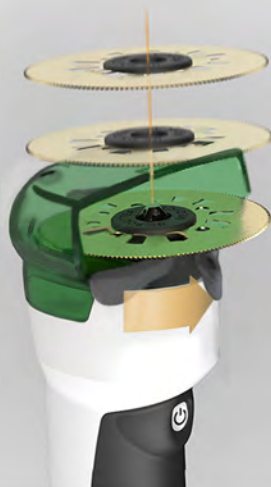
BLADE DESIGN

Producing an efficient cut starts with the design of the blade, De Soutter Medical have developed a new premium Zirconium nitride blade coating, ensuring each blade lasts longer and will cut faster.



THE TAPERED LOCK

To reduce noise and vibration in our CleanCast™ system, our engineers used the De Soutter Medical 'tapered lock' design. The 'tapered lock' is a simple principle of applying a wedge to components that need to move in unison, ensuring all lost motion is eliminated. This, in turn, reduces noise and vibration significantly, and allows toolless loading.



CLEANCAST™

ADVANCED CAST SAW AND DUST EXTRACTION SYSTEM

The CC7 and CC8 models replace our current gold standard in cast saws. Combining the latest technological features with a functional, ergonomic handgrip, they have had subtle changes to the exterior case to ensure the handpiece fits comfortably in the hand while providing the ideal cutting position. A further shift in the centre of gravity with the hose angled downwards, improves ergonomics and balance further. Distributing weight evenly increases manoeuvrability and helps to reduce user wrist fatigue.

On the CC7 model, the dust extraction path is ducted internally through the handpiece, which significantly improves visibility and handling when compared to conventional saws fitted with extraction.



CC7
With extraction



CC8
Non extracted

An ergonomically positioned operating switch is conveniently located and enables the tool to be activated with ease, whilst the soft start functionality reduces noise, helping to minimise patient anxiety.



POWER SUPPLY

The CC8 saw requires its own low voltage PS8 power supply unit. However, on the CC7, the power supply is integrated within the dust extraction unit. The power supply unit can be either bench or wall mounted with suitable fixings provided.

The CC7/8 power supply uses a medically rated switch mode power supply which ensures the cast cutter speed remains constant whilst under load improving the overall cutting performance.

Overload and reset switches are no longer required with the new compact power supply.



PS8 Power supply

Output voltage	12 Vdc
Supply frequency	50 - 60 Hz
Order code	19770

HANDPIECE SPECIFICATION

	CC7		CC8	
	2 m hose	4 m hose	2 m cable	4 m cable
High speed cpm	16000	16000	16000	16000
Low speed cpm	12000	12000	12000	12000
Power W	200	200	200	200
Output voltage V	12	12	12	12
Weight gms	670	670	648	648
Dims. (mm)	229 x 77 x 69	229 x 77 x 69	219 x 50 x 69	219 x 50 x 69
Order code	1292554	1293224	1292664	1293334

See page 5 for complete CC7 & CC8 system order codes

ADVANCED CAST SAW AND DUST EXTRACTION SYSTEM

MANOEUVRABILITY & STABILITY

The stable, 5-wheel, lockable extraction stand provides effortless handling.

ERGONOMIC HANDLE AND TOOL STORAGE TRAY

Raised handle height improves usability and the integrated tool storage tray conveniently stores cast spreaders, scissors and other accessories (including vacuum nozzle). There is an improved hose storage and ergonomic cable tidy hooks.

VACUUM NOZZLE

A unique vacuum nozzle is provided with each saw. It simply clicks onto the cast cutter hood for quick tidy ups.



IMPROVED HEPA FILTER TECHNOLOGY

Improvements in HEPA filter technology means a higher degree of filtration with less inventory. The extractor level of filtration has now been replaced with a superior 2 level filtration. A durable and tough polyester filter provides additional protection to the extractor head in case of a dust bag leak or rupture.

The HEPA dust bags ensure particles over 0.3 microns are captured. Dust bag capacity has increased to 10L and now come with a sealing cover to prevent dust from escaping during bag changes.

EXTRACTOR SPECIFICATION

Power	800 W
Supply voltage	240 Vac or 120 Vac
Maximum Suction	1900 mm H ₂ O water lift
Filtration	Hepa > 0.3 micron
Dust bag capacity	10 litres

ADVANCED CAST SAW AND DUST EXTRACTION SYSTEM

HOW TO ORDER THE CC7 SYSTEM WITH EXTRACTION

	Order codes			
	UK plug 230 V	EU plug 230 V	USA plug 120 V	AUS plug 230 V
Complete 2m system*	CC7-230UK	CC7-230EU	CC7-120USA	CC7-230AUS
2m System components				
CC7 saw 2m*	1292554	1292554	1292554	1292554
Hose kit 2m	19600	19600	19600	19600
Extractor	1292884	1292994	1293004	1293114
Central extraction hose kit 2m - CC7	19930			
4m System components				
CC7 saw 4m*	1293224	1293224	1293224	1293224
Hose kit 4m	19800	19800	19800	19800
Extractor	1292884	1292994	1293004	1293114
Central extraction hose kit 4m - CC7	19940			

HOW TO ORDER THE CC8 SYSTEM LESS EXTRACTION

	Order codes			
	UK plug 230 V	EU plug 230 V	USA plug 120 V	AUS plug 230 V
Complete 2m system*	CC8-230UK	CC8-230EU	CC8-120USA	CC8-230AUS
System components				
CC8 saw 2m*	1292664	1292664	1292664	1292664
PS8 Power supply	20050	20050	20050	20050
Mains cordset 3m	8290	8300	8310	8320
4m System components				
CC8 saw 4m*	1293334	1293334	1293334	1293334
PS8 Power supply	20050	20050	20050	20050
Mains cordset 3m	8290	8300	8310	8320

*19610 & 20280 blades are supplied as standard with each cast saw

CC7 and CC8 saws, power supplies and extractor are type tested to IEC 60601-1:2005/AMD1:2012
The 120 V model is UL Listed to US and Canadian requirements.

CORDLESS BATTERY POWERED SAW

BATTERY POWERED CORDLESS SAW - CSB-100




The De Soutter Medical CSB-100 saw allows the user total freedom of movement, which is particularly useful for medical emergency services, ward work, the veterinary profession and numerous other applications where the cordless concept is the only practical solution.



CSB-100



CSB-100-A CAST SAW SYSTEM

Model	Order code	Details
CSB-100-A System*	1286774	Comprising of items listed below:
 CSB-100 Saw	1286224	Speed: 16000 cpm Weight: 1050 grams
 CB-100 Battery x2	15010	Battery voltage: 10.8 Vdc NiMH Capacity: 2600 mAh
 BC-100 Charger	15020	Supply voltage 100 - 240 Vac Supply frequency 50 - 60 Hz <i>Supplied with all common mains supply adaptors</i>
Saw Blade	6250	
Hexagon wrench	204903	
Carry Case	15030	

*Supplied with saw blade Order code 6250.

See page 14 for other saw blade options.

HIGH POWER CAST SAW AND DUST EXTRACTION SYSTEM

MAINS VOLTAGE SAW HIGH POWER

The CC4 with its powerful 110 watt motor maintains rapid and efficient cutting on the thickest of body casts. The knurled grip close to the saw blade provides the operator with excellent control and flexibility of movement. There is an optional clear extraction hood which ensures good visibility when cutting. The hood is fully rotatable to suit the most convenient cutting position.



EXTRACTOR SPECIFICATION

Power	(max.) 1 kW
Supply voltage	240 or 100 - 120 Vac
Maximum Suction	2500 water gauge mm
Filtration	99.997% > 0.5 microns
Dust bag capacity	7.5 litres
Sound level	58 dB(A)



CC4 SAW SPECIFICATION

Oscillating speed	14000 cpm (or 16000 cpm)
Voltage	230 Vac (or 120 Vac)
Weight	1300 grams
Sound level	70 dB(A)
Length	333 mm



HOW TO ORDER THE CC4 SYSTEM WITH EXTRACTION

	Order codes			
	UK plug 230 V	EU plug 230 V	USA plug 120 V	AUS plug 230 V
Complete CC4 system	CC4A-230UK	CC4A-230EU	CC4A-120US	CC4A-230AUS
System components				
CC4 saw	1273884	1273884	1273994	1273884
Hose kit	78472	78472	78472	78472
Extractor	1190	7020	7140	9490

HOW TO ORDER THE CC4 SYSTEM LESS EXTRACTION

CC4 Less Extraction	Order codes			
CC4 Saw	1280004	1270994	1280554	1281444

AWARD WINNING PAEDIATRIC CAST SAW SYSTEM

BATTERY/MAINS POWERED SAW PAEDIATRIC - CSP-201



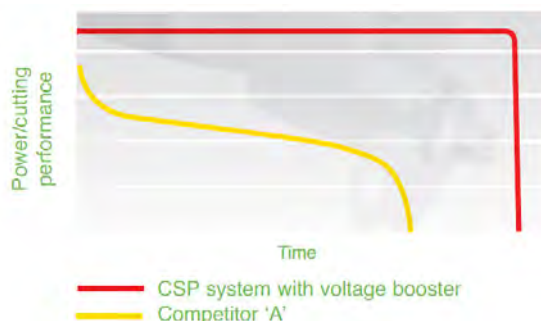
Specifically developed for paediatric use, the Red Dot award winning CSP System is exceptionally quiet and compact minimising patient anxiety. The CSP System offers both battery and mains power options, and lithium ion battery technology provides an unrivalled power to weight ratio.

CSP-201 SAW
with BP-201 Pro battery pack

CSP-201 FEATURES;

- Soft start feature with noise control helps minimise patient anxiety
- Continuous 2 hour - cutting performance.
- Built-in service reminder - 300 charging cycles.
- Display allows the user to select the optimum cutting speed and view the remaining battery capacity.
- Micro processor controlled voltage booster ensures constant cutting performance - zero deterioration.
- Rapid charging time - under 3 hours

CSP system power/cutting performance



AWARD WINNING PAEDIATRIC CAST SAW SYSTEM

An integral clip with both battery pack or mains power adaptor for increased portability

The CSP-201 saw is fitted to the IC-201 Inter Connector and PS-201 Power Supply

CSP-201 SAW
With mains operation



MAINS SUPPLY CORDSETS 2 metres long

Please specify Cordset required;

UK - C7 plug	15610
EUR - C7 plug	15620
USA - C7 plug	15630
AUS - C7 plug	15640
Swiss - C7 plug	15660

CSB-100-A CAST SAW SYSTEM

Model	Order code	Description
CSP-201-A System*	1286984	Comprising of items listed below:
CSP-201 Saw and cable	1286994	Speed: 14800 - 17500 cpm Noise level: 55 dB(A) Weight: 319 grams
BP-201 Battery Pack Pro	15250	Battery voltage: 10.8 Vdc NiMH Capacity: 30.8 Wh Charging time from flat: <3 hours Weight: 437 grams
IC-201 Inter Connector	15270	
PS-201 Power Supply	15280	
Carry Case	15290	
Wrench	15300	



ADVANCED CAST SAW ACCESSORIES

CC7/8 CAST SAW ACCESSORIES



CC7 Extractor Filter
(single item)
Order code 670113



CC7 hood
Order code 670713



CC7 Extractor
HEPA dust bag
(pack of 10)
Order code 670123



CC7 2 m Hose kit
Order code 19600
4 m Hose kit
Order code 19800



CC7 vacuum attachment
(with extractor system)
Order code 670733



Cast saw wall
mount for CC8
Order code 19850

CAST REMOVAL ACCESSORIES



Large, two handed
cast spreader
Order code 5130



Small, single
hand cast spreader
Order code 5120



Plaster shear
Order code 7680



Underpadding
scissors
Order code 15150

ADVANCED CAST SAW AND DUST EXTRACTION SYSTEM

CC4 CAST SAW ACCESSORIES



CC4 Secondary cloth filter
Order code 603213



CC4 Primary cloth filter
Order code 603203.



CC4 Disposable Hepaflow synthetic collection bags. Supplied in packs of 10. Order code 602763.



Hose clip
Order code 603093



2 metre length extraction hose
Order code 216933



CC4 extraction hood elbow
Order code 2920



CC4 extraction hood
Order code 600003



Blade wrench
Order code 204903

Blade retainer
Order code 610073

SAW BLADES

SAW BLADES FOR CASTCAST™ CC7/8 SAWS

Our blade range has now been simplified to 4 high performance coatings and 3 saw blade designs:

The three different blade designs are (right):

- 64mm diameter fully round
- 64mm diameter segmented
- 80mm diameter segmented

As with previous De Soutter Medical cast saw blades, our fully round versions can be loaded in 5 different positions.

The four different coatings are:

Ion Nitride

Only coating that can be recommended for fibreglass. Ion Nitride treatment makes the blade material itself harder and tougher for maximum durability on abrasive cast materials.

PTFE

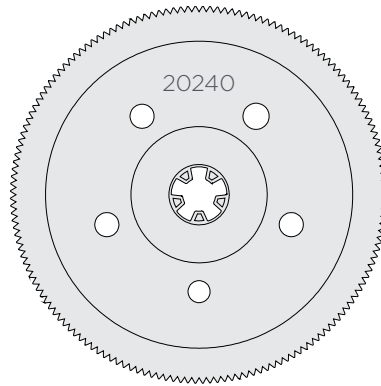
Runs cool on POP and polyester, while coating remains intact.

Zirconium Nitride (ZrN)

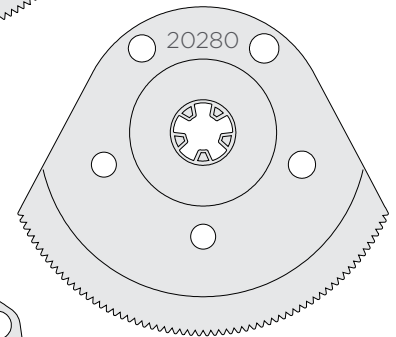
Ultra-hard coating (Like TiN but 50% harder) results in reduced wear, significantly more durable than PTFE.

Titanium Nitride (TiN)

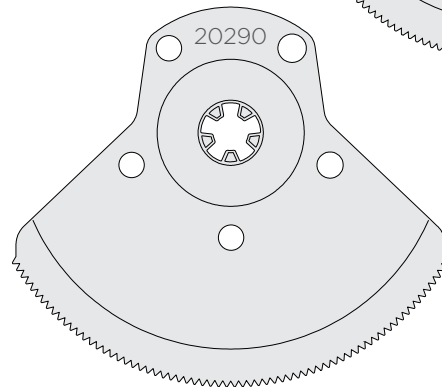
Runs cool on POP, and hard coating means it can be used significantly longer than PTFE, without a loss in cutting performance.



64mm diameter fully round







64mm diameter segmented



80mm diameter segmented

BLADE RANGE / PART No.

Blade shape	Blade dia. mm				
Circular	64	19610*	19640	19660	20240
Segment	64	19670	19680	19730	20280*
Segment	80	19700	19720	19710	20290

CAST TYPE

	PTFE	TiN	ZrN	Ion Nitride
POP - Gypsona	Optimal	Optimal	Optimal	Optimal
Polyester Deltalite/Benicast/CellaCast	Suitable	Optimal	Optimal	Optimal
Fibreglass Deltalite/Scotchcast	Not recommended	Not recommended	Not recommended	Optimal

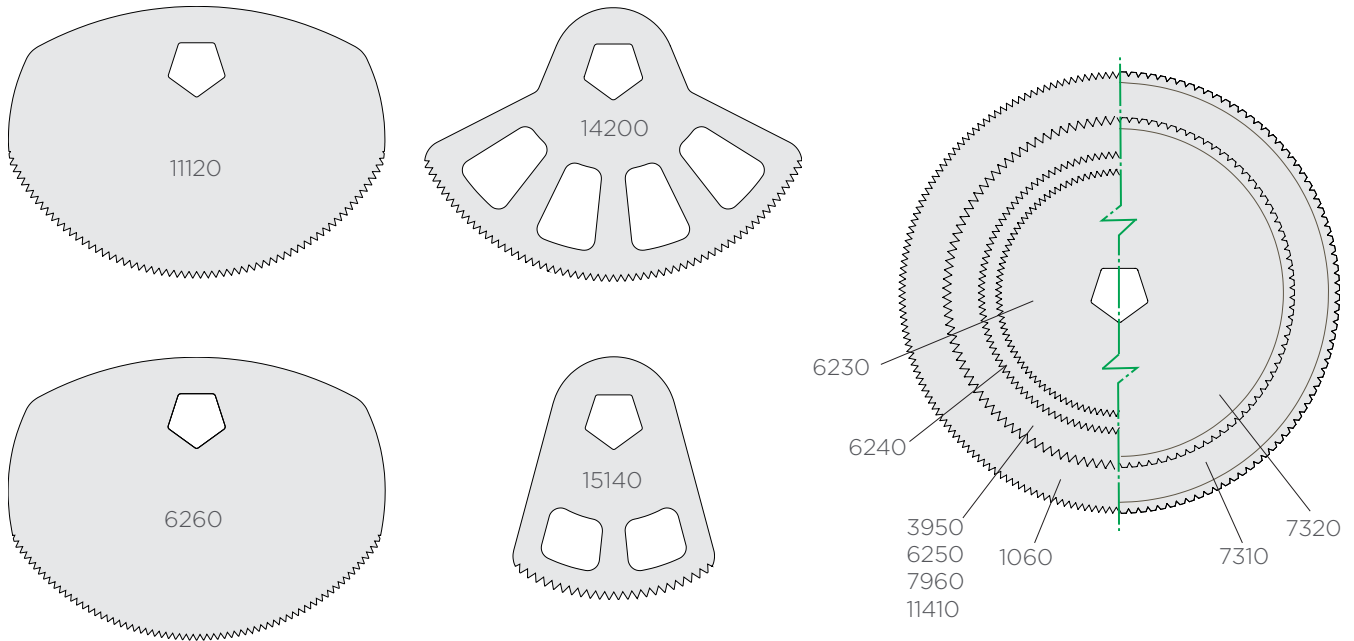
All blades are sold in boxes of 5

*19610 & 20280 blades are supplied as standard with each cast saw

SAW BLADES

SAW BLADES FOR CASTCAST™ CC4/5/6 & CSB SAWS

Blades have 'easy fit' pentagon mounting hole. Circular blades can be rotated up to five times to maximize their useful life.



BLADE RANGE / PART No.

Blade shape	Blade dia. mm	PTFE	TIN	Stainless Steel	Diamond	Ion Nitride
Circular	44	6230	-	-	-	-
Circular	50	6240	-	-	-	-
Circular	64	6250*	3950	7960	7310	11410
Circular	80	1060 ¹⁾	-	-	7320 ¹⁾	-
Segment	64	-	-	15140 ²⁾	-	-
Segment	76	-	11120	14200	-	-
Segment	80	6260	-	-	-	-

CAST TYPE

	PTFE	TIN	Stainless Steel	Diamond	Ion Nitride
POP - Gypsona	Optimal	Optimal	Suitable	Not recommended	Optimal
Polyester Dentalite/Benicast/CellaCast	Suitable	Optimal	Not recommended	Optimal	Optimal
Fibreglass Dentalite/Scotchcast	Not recommended	Not recommended	Not recommended	Not recommended	Optimal

All blades are sold in boxes of 5 *6250 blades are supplied as standard with each CSB-100 & CC4 cast saw

¹⁾ Not suitable for CC5.

²⁾ Low noise/vibration blade - ideal for paediatric use.

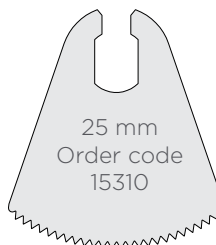
SAW BLADES

CSP-201 SAW BLADES

BLADE RANGE / PART No.

Blade shape	Blade Radius mm	Smooth Stainless Steel	Coarse Stainless Steel
Segment	25	15310	16120
Segment	29	15320	-

All blades sold in boxes of 5

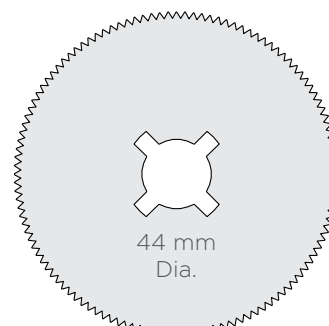
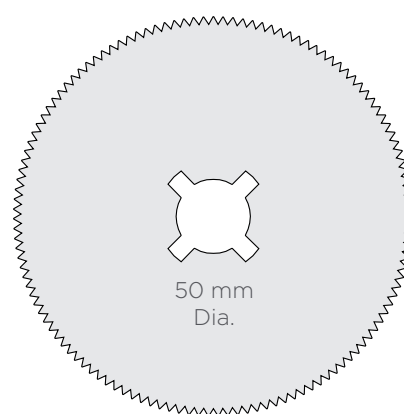
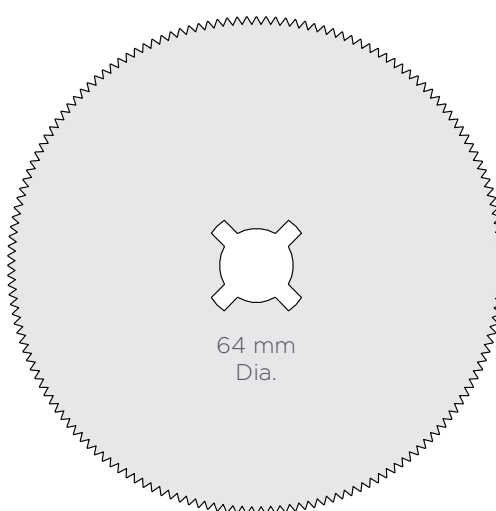
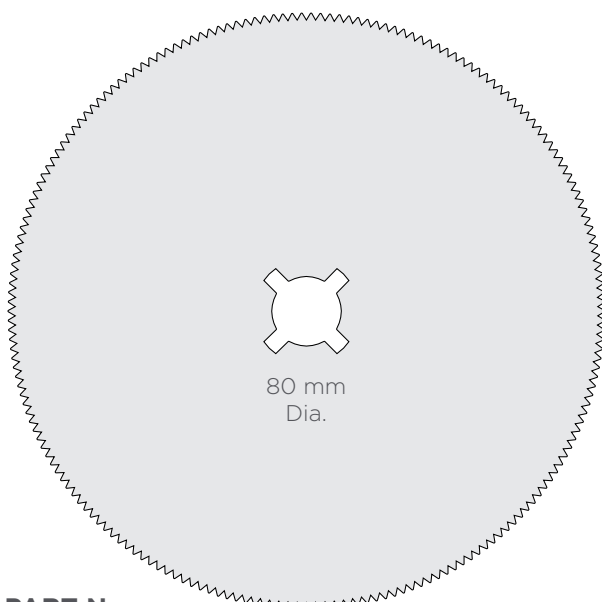


UNIVERSAL SAW BLADES

Blades have a universal mounting hole. They can be rotated up to four times to maximize their useful life.

These blades can be used with these cast saw brands;

- Stryker® (840)
- Aesculap®
- Zimmer®
- M-Pact®
- Martin
- BSN™
- Medicon™



BLADE RANGE / PART No.

Blade shape	Blade dia. mm	PTFE	TIN
Circular	44	7040	-
Circular	50	7800	-
Circular	64	1180	7790
Circular	80	7810	-

CAST TYPE

	PTFE	TIN
POP - Gypsona	Optimal	Optimal
Polyester Deltalite/Benicast/CellaCast	Suitable	Optimal
Fibreglass Deltalite/Scotchcast	Not recommended	Not recommended

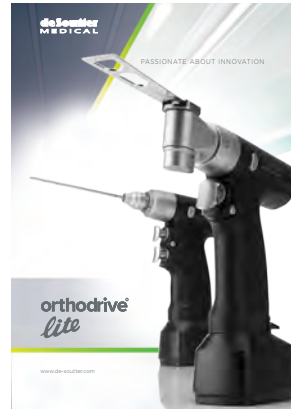
All blades are sold in boxes of 5

LEADERS IN SURGICAL POWER

A WHOLE RANGE OF INNOVATIVE SURGICAL INSTRUMENTS:



orthodrive®
A high performance
orthopaedic large
bone powered
instrument



orthodrive® lite
The lightest
orthopaedic system
on the market,
providing greater
flexibility



traumadrive™
A powerful,
modular system
for small bone and
trauma surgery



osteodrive®
A versatile modular
electrical system for
small bone surgery



hekaDrill™
highspeed neuro
and ENT system



sternudrive™
Compact battery
sternum saws

CLEANCAST™

**For further information on De Soutter Medical products,
please contact the address in your area.**

United Kingdom (International Head Office)

De Soutter Medical Limited
Halton Brook Business Park, Weston Road
Aston Clinton, Aylesbury, Bucks HP22 5WF
Tel: +44 (0) 1296 634 000
Fax: +44 (0) 1296 634 033
Email: info@de-soutter.com

Australia

De Soutter Medical Australia Pty Ltd
2/12-14 Apollo Drive, Hallam, Victoria 3803
Tel: +61 (0) 3 9702 4441
Fax: +61 (0) 3 9702 4484
Email: australia@de-soutter.com

Austria

De Soutter Medical Austria
Zweigniederlassung Österreich
Dietrichsteingasse 10, A-3400 Klosterneuburg
Tel: +43 (0) 676 96 71 770
Fax: +43 (0) 2243 21 656
Email: austria@de-soutter.com

Belgium

De Soutter Medical Belgium
Bessemmerstraat 14, 3620 Lanaken
Tel: +32 (0) 89/47 15 37
Fax: +32 (0) 89/70 12 19
Email: belgium@de-soutter.com

France

De Soutter Medical France
1 252 Avenue Parc des Expositions
33260 La Teste de Buch
Tel: +33 (0) 5 56 54 89 36
Fax: +33 (0) 9 70 61 37 60
Email: france@de-soutter.com

Germany

De Soutter Medical Germany
Bahnhofstraße 4,
D-66625 Nohfelden
Tel: +49 (0) 68 52-99 12 46
Fax: +49 (0) 68 52-99 12 47
Email: deutschland@de-soutter.com

Italy

De Soutter Medical italia
Localita' Fornace SNC
27022 Casorate Primo - PV, Italia
Tel: +39 (0) 2 9009 4098
Fax: +39 (0) 2 9009 2673
Email: italy@de-soutter.com

Netherlands

De Soutter Medical Nederland
Gelderlandhaven 2X
3433 PG Nieuwegein
Tel: +31 (0) 85 0491480
Fax: +31 (0) 85 0491489
Email: nederland@de-soutter.com

United States of America

De Soutter Medical USA, Inc.
224 Rolling Hill Road, Suite 12A
 Mooresville, NC 28117
Tel: +1 (704) 655 9040
Fax: +1 (704) 987 2035
Email: usa@de-soutter.com